

HTK 230/231 Dew Point Sensor



Unique dual sensor system

Outstanding accuracy and wide range

The HTK 230/ 231 dew point sensors provide reliable, long term stable dew point monitoring in industrial or hazardous applications.

The unique dual sensor technology optimizes sensor sensitivity and accuracy by automatically selecting the ideal sensor type for the situation.

Benefits

- Dew point sensor with optional ATEX, IEC Ex approval
- Dual sensor technology for high accuracy of 2°C Td over the whole range from -100 ... +20°C Td
- Two outputs available: 4 ... 20 mA, RS-485 (Modbus/RTU)
- IP65 casing provides robust protection in rough industrial environment

Technical Data

Measuring range	Dew point -100 ... +20°C Td (HTK 230)/ -50 ... +20°C Td (HTK 231) Temperature -30 ... +70°C
Dew point sensor	QCM & Polymer
Temperature sensor	NTC
Pressure sensor	N/A
Accuracy	Dew point ±2°C Td/ Temperature 0.3°C
Operating pressure	-0.1 ... 1.6 MPa (HTK 230)/ -0.1 ... 35 MPa (HTK 231)
Operating temperature (Medium)	-30 ... +70°C
Measured gases (Medium)	Non-corrosive gases
Response Time t90 (@ 4 l/min)	-20°C Td -> -60°C Td = < 240 sec/ -60°C Td -> -20°C Td = < 30 sec
Ambient temperature	-20 ... +50°C
Ambient humidity	0 ... 100% rH
Supply Voltage (Model depending)	12 ... 30 VDC
Current consumption	40 mA @ 24 VDC
Output signals	4 ... 20 mA (isolated)/ Modbus/RTU
Electrical connection	Screw terminals
Process connection	G 1/2" thread (ISO 228/1)/ Stainless steel 1.4301 (SUS 304)
Casing material	Aluminum alloy
Classification	IP67
EMC	IEC 61326-1
Approval	Ex db[ib] IIC T4 Gb
Sensor protection	Sinter filter
Transport temperature	-30 ... +70°C
Storage temperature	-20 ... +50°C
Weight	728 g

Stated accuracy under following conditions:

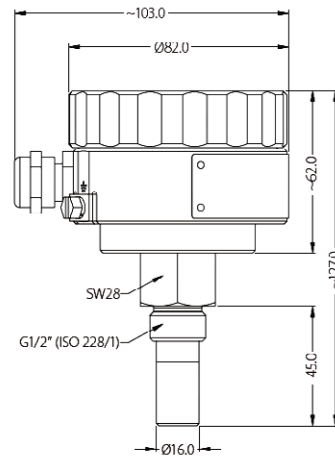
- Ambient temperature 23°C ±3°C
- Process temperature 23°C ±3°C
- Ambient humidity < 95%, no condensation
- Airflow > 2 l/min at sensor tip

Rev.I_082020_HTK 230-231_engl • Subject to change

Mode of Operation

The HTK 230/ 231 comes ready to use and simple to install with your choice of 4-20mA or Modbus/RTU (RS485) outputs.

Dimension Drawing



HTK Hamburg GmbH

Oehleckerring 32 • 22419 Hamburg

Phone: +49 (0)40 - 600 38 38 - 0 • Fax: +49 (0)40 - 600 38 38 - 99

info@htk-hamburg.com



© Copyright 2019 - All contents of this document, in particular Texts, photographs and graphics are protected by copyright. All rights, including reproduction, publication, processing and translation are reserved, HTK Hamburg GmbH. Please contact HTK Hamburg GmbH if you would like to use the contents of this document.



We control GASES - since 1978

